



### Compressor Selection: Open-Type Reciprocating Compressors

#### Input Values

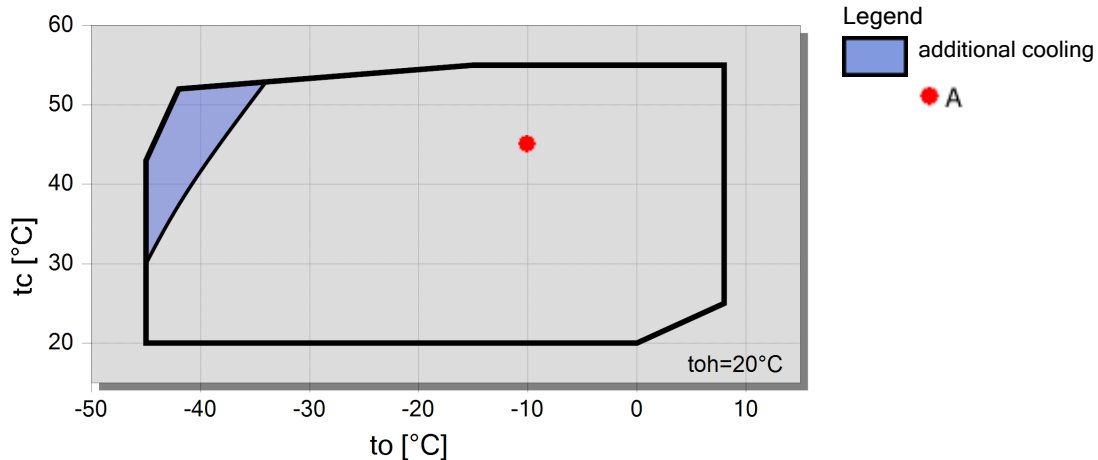
|                           |                 |                  |                |
|---------------------------|-----------------|------------------|----------------|
| Compressor model          | 6H.2Y-K         | Useful superheat | 100%           |
| Refrigerant               | R404A           | Motor speed      | 1450 /min      |
| Reference temperature     | Dew point temp. | Drive            | Coupling (1:1) |
| Liq. subc. (in condenser) | 0 K             | Capacity Control | 100%           |
| Suction gas temperature   | 20,00 °C        |                  |                |

#### Result

|      |          | 10°C | 0°C    | -10°C | -20°C | -30°C | -40°C | -50°C | -60°C |
|------|----------|------|--------|-------|-------|-------|-------|-------|-------|
| 30°C | Q [W]    | --   | 104066 | 71773 | 47677 | 30023 | 17433 | --    | --    |
|      | Q* [W]   | --   | 104066 | 71773 | 47677 | 30023 | 17433 | --    | --    |
|      | P [kW]   | --   | 22,4   | 20,5  | 17,44 | 13,86 | 10,29 | --    | --    |
|      | Qc [W]   | --   | 126475 | 92236 | 65113 | 43887 | 27722 | --    | --    |
|      | COP [-]  | --   | 4,64   | 3,51  | 2,73  | 2,17  | 1,69  | --    | --    |
|      | COP* [-] | --   | 4,64   | 3,51  | 2,73  | 2,17  | 1,69  | --    | --    |
|      | m [kg/h] | --   | 2645   | 1785  | 1168  | 727   | 419   | --    | --    |
|      | n [/min] | --   | 1450   | 1450  | 1450  | 1450  | 1450  | --    | --    |
| 40°C | Q [W]    | --   | 89984  | 61843 | 40684 | 25067 | 13837 | --    | --    |
|      | Q* [W]   | --   | 89984  | 61843 | 40684 | 25067 | 13837 | --    | --    |
|      | P [kW]   | --   | 25,7   | 22,8  | 18,86 | 14,61 | 10,62 | --    | --    |
|      | Qc [W]   | --   | 115704 | 84612 | 59545 | 39675 | 24459 | --    | --    |
|      | COP [-]  | --   | 3,50   | 2,72  | 2,16  | 1,72  | 1,30  | --    | --    |
|      | COP* [-] | --   | 3,50   | 2,72  | 2,16  | 1,72  | 1,30  | --    | --    |
|      | m [kg/h] | --   | 2581   | 1731  | 1119  | 681   | 373   | --    | --    |
|      | n [/min] | --   | 1450   | 1450  | 1450  | 1450  | 1450  | --    | --    |
| 50°C | Q [W]    | --   | 75446  | 51664 | 33591 | 20115 | 10307 | --    | --    |
|      | Q* [W]   | --   | 75446  | 51664 | 33591 | 20115 | 10307 | --    | --    |
|      | P [kW]   | --   | 29,2   | 25,3  | 20,7  | 15,81 | 11,49 | --    | --    |
|      | Qc [W]   | --   | 104679 | 77013 | 54241 | 35922 | 21795 | --    | --    |
|      | COP [-]  | --   | 2,58   | 2,04  | 1,63  | 1,27  | 0,90  | --    | --    |
|      | COP* [-] | --   | 2,58   | 2,04  | 1,63  | 1,27  | 0,90  | --    | --    |
|      | m [kg/h] | --   | 2513   | 1673  | 1066  | 629   | 319   | --    | --    |
|      | n [/min] | --   | 1450   | 1450  | 1450  | 1450  | 1450  | --    | --    |

-- No calculation possible (see message in single point selection)  
 \*According to EN12900 (20°C suction gas temp., 0K liquid subcooling)

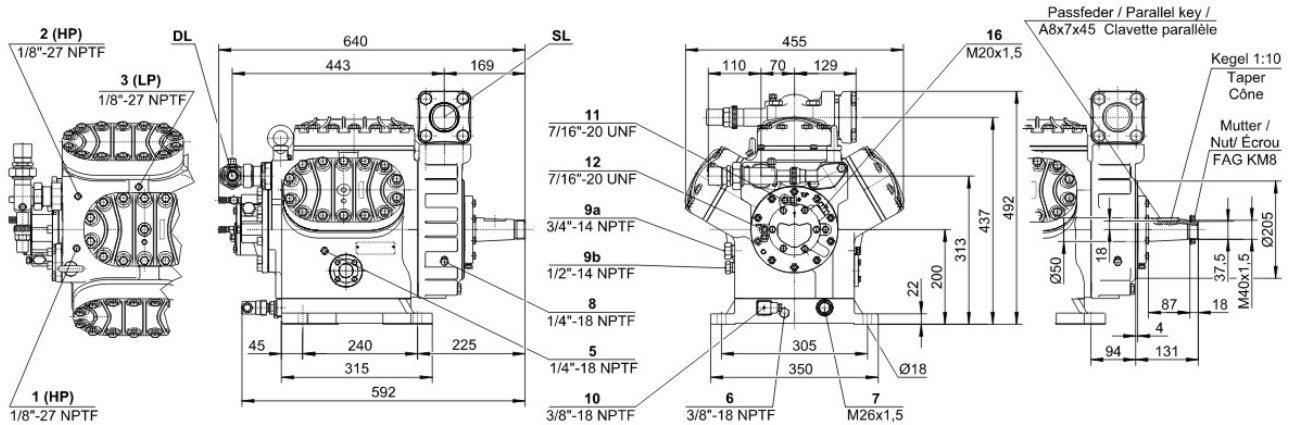
#### Application Limits Standard





## Technical Data: 6H.2Y-K

### Dimensions and Connections



### Technical Data

#### Technical Data

|  |  |
|--|--|
| Displacement (1450 RPM 50Hz)                 | 110,5 m3/h                               |
| Displacement (1750 RPM 60Hz)                 | 133,4 m3/h                               |
| No. of cylinder x bore x stroke              | 6 x 70 mm x 55 mm                        |
| Allowed speed range                          | 900 .. 1750 1/min                        |
| Weight                                       | 153 kg                                   |
| Max. pressure (LP/HP)                        | 19 / 25 bar                              |
| Connection suction line                      | 54 mm - 2 1/8"                           |
| Connection discharge line                    | 35 mm - 1 3/8"                           |
| Oil type R134a/R407C/R404A/R507A/R407A/R407F | tc<55°C: BSE32 / tc>55°C: BSE55 (Option) |
| Oil type R22 (R12/R502)                      | B5.2 (Standard)                          |

#### Extent of delivery (Standard)

|                          |          |
|--------------------------|----------|
| Oil charge               | 5,0 dm3  |
| Protective charge        | Standard |
| Suction shut-off valve   | Standard |
| Discharge shut-off valve | Standard |
| Pressure relief valve    | Standard |

#### Available Options

|                                  |  |
|----------------------------------|--|
| Coupling (...K) w. A/C + medium  | KK620 [<22kW] / KK630 [<45kW] (Option) |
| Coupling (...K) w. low temp.     | KK625 [<22kW] / KK630 [<45kW] (Option) |
| Coupling housing                 | Option                                 |
| Motor pulley (...S)              | 190, 210, 230 mm (Option)              |
| V-belts                          | 5 x SPA (Option)                       |
| Discharge gas temperature sensor | Option (incl. INT69VS)                 |
| Start unloading                  | Option                                 |
| Connection cooling water         | R 3/4" (Option)                        |
| Capacity control                 | 100-66-33% (Option)                    |
| Additional fan                   | Option                                 |
| Water-cooled cylinder heads      | Option                                 |
| Oil service valve                | Option                                 |
| Crankcase heater                 | 140 W (Option)                         |
| Oil pressure monitoring          | MP54 (Option)                          |
| Kit for marine application       | Option                                 |